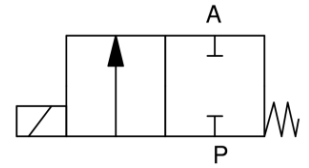
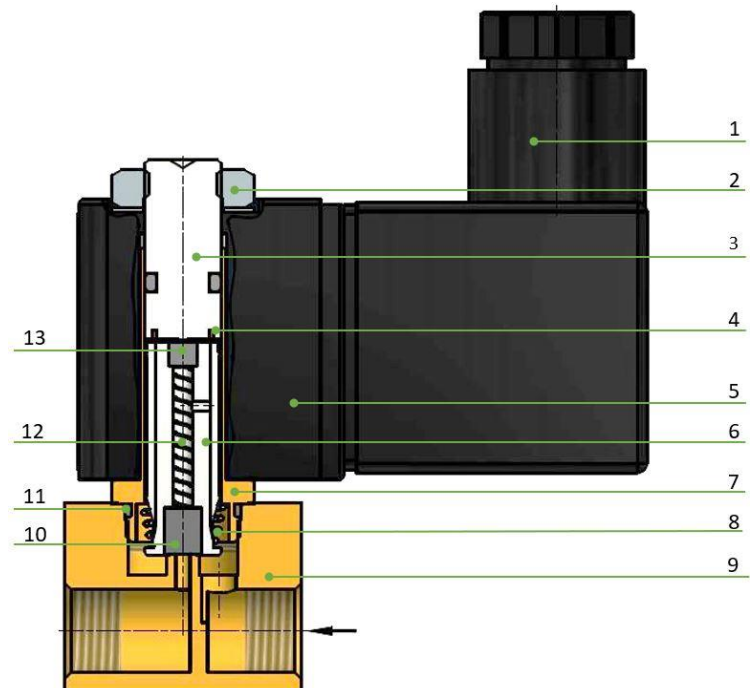


Normal position	NC
Housing	Brass (CW614N)
Ambient temperature	-20 °C to 55 °C
Medium temperature	-15 °C to 100 °C (FPM) -20 °C to 85 °C (NBR)
Mounting position	Solenoid preferably in upright position
Protection IP	IP 65 (with connector socket fitted)
Electrical connection	Connector socket acc. to industry norm type B - EN 175301-803-B, for AC operation with integrated rectifier
Voltage tolerance	± 10% acc. VDE 0580
Power	230V 50Hz: 9VA 110V AC: 8.5VA 24V AC: 9VA 24V DC: 6.5W 12V DC: 5.5W
Duty cycle	100% ED



### Materials

No.	Part	Material
1	Nut	Galvanised steel
2	Connector socket	Plastic
3	Pole core	Stainless steel
4	Short circuit ring	Copper
5	Solenoid	Plastic cover
6	Plunger	Stainless steel
7	Guide tube	Brass
8	Spring	Stainless steel
9	Housing	Brass
10	Sealing plug seat	FPM/NBR
11	O-Ring	FPM/NBR
12	Spring	Stainless steel
13	Plug	FPM/NBR



P 3-538 e

## 2/2-way solenoid valves

directly operated  
professional standard series  
Art. No. 129275 to 129294



### Solenoid valve, normally closed, directly operated, alternating current

Art. No.	Type No.	Thread	DN	Voltage	Sealant	Operating pressure bar	Flow rate l/min
129275	MVA.18.MS.230.F.RD.2	G 1/8	2	230V AC	FPM	0 - 10	2.1
129276	MVA.18.MS.230.F.RD.2.5	G 1/8	2.5	230V AC	FPM	0 - 8	2.8
129279	MVA.18.MS.24A.F.RD.2	G 1/8	2	24V AC	FPM	0 - 10	2.1
129280	MVA.18.MS.24A.F.RD.2.5	G 1/8	2.5	24V AC	FPM	0 - 8	2.8
129281	MVA.18.MS.110.F.RD.2	G 1/8	2	110V AC	FPM	0 - 10	2.1
129282	MVA.18.MS.110.F.RD.2.5	G 1/8	2.5	110V AC	FPM	0 - 8	2.8
129285	MVA.18.MS.230.N.RD.2	G 1/8	2	230V AC	NBR	0 - 10	2.1
129286	MVA.18.MS.230.N.RD.2.5	G 1/8	2.5	230V AC	NBR	0 - 8	2.8
129289	MVA.18.MS.24A.N.RD.2	G 1/8	2	24V AC	NBR	0 - 10	2.1
129290	MVA.18.MS.24A.N.RD.2.5	G 1/8	2.5	24V AC	NBR	0 - 8	2.8
129291	MVA.18.MS.110.N.RD.2	G 1/8	2	110V AC	NBR	0 - 10	2.1
129292	MVA.18.MS.110.N.RD.2.5	G 1/8	2.5	110V AC	NBR	0 - 8	2.8

### Solenoid valve, normally closed, directly operated, direct current

Art. No.	Type No.	Thread	DN	Voltage	Sealant	Operating pressure bar	Flow rate l/min
129277	MVA.18.MS.24D.F.RD.2	G 1/8	2	24V DC	FPM	0 - 8	2.1
129278	MVA.18.MS.24D.F.RD.2.5	G 1/8	2.5	24V DC	FPM	0 - 6.5	2.8
129283	MVA.18.MS.12.F.RD.2	G 1/8	2	12V DC	FPM	0 - 8	2.1
129284	MVA.18.MS.12.F.RD.2.5	G 1/8	2.5	12V DC	FPM	0 - 6.5	2.8
129287	MVA.18.MS.24D.N.RD.2	G 1/8	2	24V DC	NBR	0 - 8	2.1
129288	MVA.18.MS.24D.N.RD.2.5	G 1/8	2.5	24V DC	NBR	0 - 6.5	2.8
129293	MVA.18.MS.12.N.RD.2	G 1/8	2	12V DC	NBR	0 - 8	2.1
129294	MVA.18.MS.12.N.RD.2.5	G 1/8	2.5	12V DC	NBR	0 - 6.5	2.8

